

PACKAGING



Warning

For proper use and maintenance refer to the user's handbook attached to the torch.

Attenzione

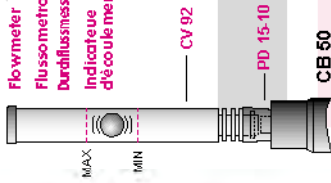
Consultare il manuale di uso e manutenzione allegato alla torcia.

Achtung

Bitte unbedingt das beigefügte Bedienungshandbuch beachten.

Atención

Consulte el manual d'utilització i de manteniment adjunt a la torxa.



Flowmeter
Flusso metro
Durchflussmesser
Indicateur
d'écoulement

CV 92

PD 15-10

CB 50

Operating instructions

The excessive wear of tip and electrode may cause some damage to the torch head. Replace the electrode before its total consumption or well as the tip when showing an irregular hole or an increased diameter.

Modèle de uso

L'eccessivo usura di cappa ed elettrodo può creare danni al corpo torcia, sostituire l'elettrodo prima del totale consumo dall'inserto e la cappa quando presenta un foro irregolare od il diametro maggiorato.

Gebrauchsanweisung

Elektrode und Schneiddüse sollen auf den Verschleiß hin überprüft werden, überhöhte Beanspruchung führt zu verschlechterten Schneidergebnissen und kann zu einer Beschädigung des Flammenkörpers führen.

Modèle de usage

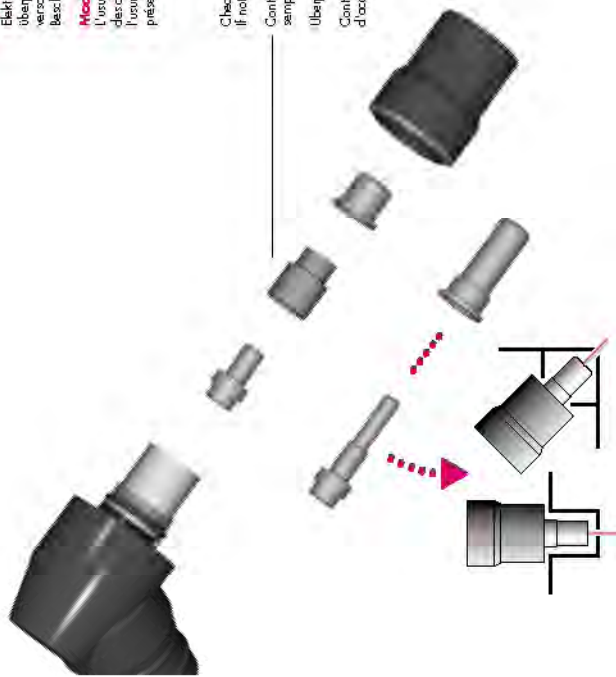
L'usure excessive de la tuyère et de l'électrode peuvent causer des dommages au col de la torche, remplacer l'électrode avant l'usure totale de l'insert et ainsi que la tuyère si celle-ci présente une "usure irrégulière" ou un diamètre majoré.

Check the state of the swirl ring. Air holes must be open. If not, the low cooling system will damage the torch head.

Controllare lo stato di efficienza del diffusore aria, che deve sempre presentare i fori di accesso aria liberi da ostruzioni.

Überprüfen des Luftverleters, die Löcher nicht verstopft sind.

Contrôler le rendement du diffuseur d'air dont les trous d'accès d'air doivent rester libres de toutes obstructions.



The parts advertised for sale are not genuine parts, but are parts made for and by TRAFIMET. Refer users to manufacturer equipment, and/or trade names or trade-marks are for identification and convenience only.

TRAFIMET spa claims that all items in this catalogue are manufactured in conformity with the "low voltage" CE7323 directive as per EN 50078 standard. The company reserves the right to modify any of its products without notice. TRAFIMET spa is the registered owner of all trademarks, patents and models.

Copyright © February 1997 - by TRAFIMET spa (Print 11/93) EN 6024



EN 50078
EN 50192

trafimet®

your welding partner

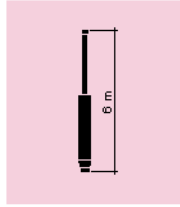
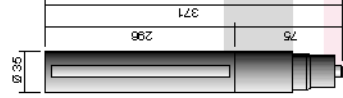


trafimet®
your welding partner

CB 50 MANUAL CB 50 P AUTOMATIC

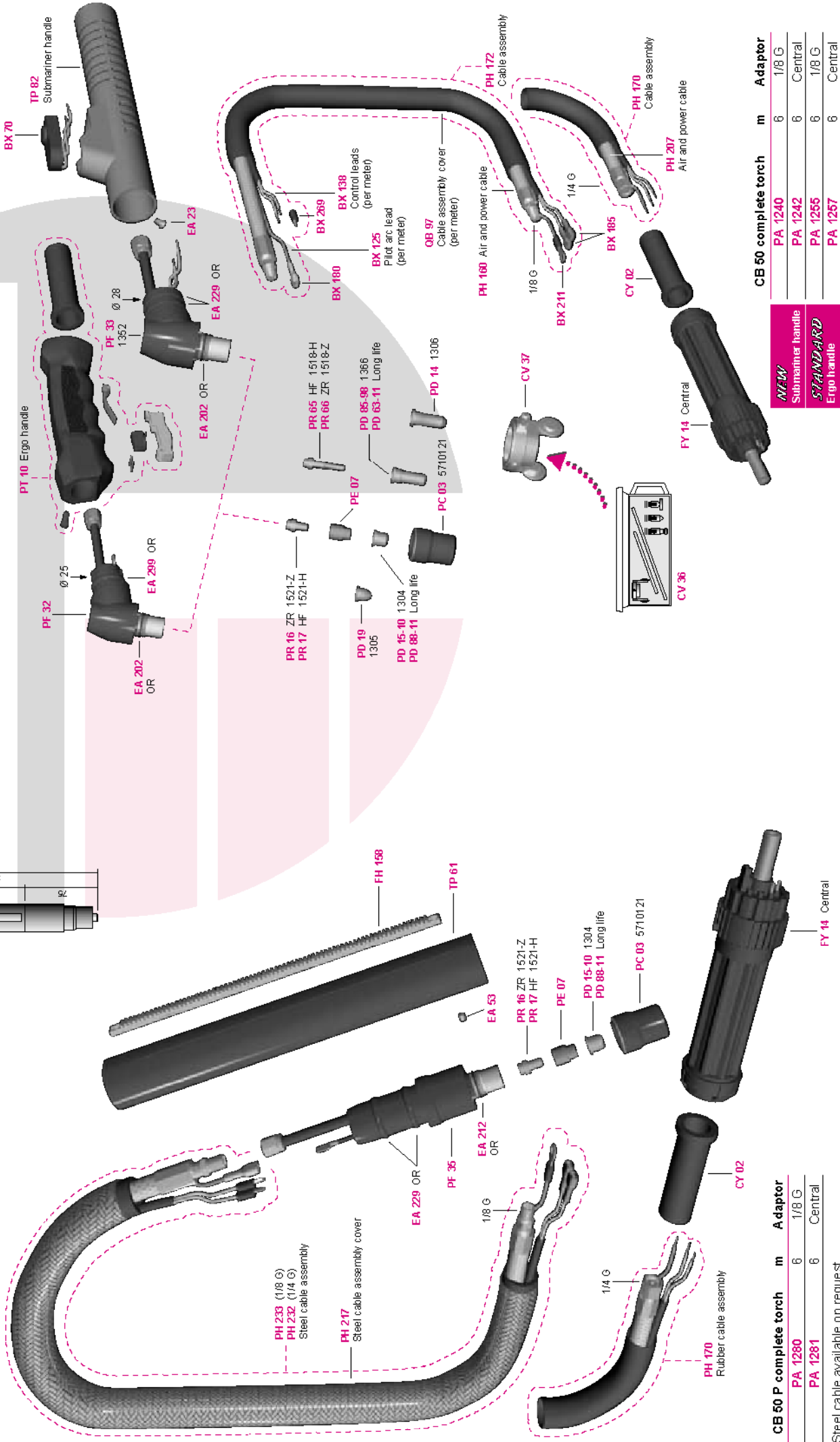
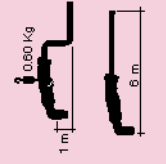
PLASMA TORCHES

CB 50 P



Technical data	CB 50 • CB 50 P
Voltage class	M
Standard length	6 m
Air consumption	165 l/min
Air pressure	5 bar
Duty cycle 100%	40 A
Duty cycle 60%	50 A

CB 50



CB 50 P complete torch	m	Adaptor
PA 1280	6	1/8 G
PA 1281	6	Central

Steel cable available on request.

CB 50 complete torch	m	Adaptor
PA 1240	6	1/8 G
PA 1242	6	Central
PA 1255	6	1/8 G
PA 1257	6	Central

NEW
Submariner handle
STANDARD
Ergo handle

PLASMATOORTS CB 50

Leverancier	artikelnummer Tramex	Omschrijving	Type
PA1240	2542650281	Plasma Snijtoorts 6M	CB 50
PA1242	2542650282	Plasma Snijtoorts 6M	CB 50 C.A.
PR0016	2552650293	Electrode Zr	CB50 1521-Z
PR0017	2552650294	Electrode HF	CB50 1521-H/HY 40
PE0007	2552650297	Luchtverdeler	CB50+HY40 1510-20101
PD0019	2552650258	Snijmondstuk konisch	CB50+HY40P1305+20131
PD0015-10	2552650257	Snijmondstuk	CB30-35 1304
PD0088-11	2552650409	Snijmondstuk	CB70
PC0003	2552650309	Gasmondstuk	CB50 5710121
PR0065	2552650296	Electrode lang HF	CB50 1518-H
PR0066	2552650295	Electrode lang Zr	CB50 1518-Z
PE0007	2552650297	Luchtverdeler	CB50+HY40 1510-20101
PD0085-98	2552650306	Snijmondstuk lang	CB50 1366
PD0063-11	2552650307	Snijmondstuk lang verst	CB50+70
PD0014	2552650259	Snijmondstuk lang kon.	CB30-35 1306
PC0003	2552650309	Gasmondstuk	CB50 5710121
CV0037	2552650264	Cirkelsnijwagen los	CB30-35-50
PF0032	2552650291	Branderlichaam	CB50
EA0202	2522632706	O-ring	Diverse toortsen
PT0010	2552650290	Handgreep compleet	CB50
PF0033	2552650292	Branderlichaam	CB50 1352
EA0202	2522632706	O-ring	Diverse toortsen
EA0229	2522632376	O-Ring	Diverse toortsen
TP0082	2552650323	Handgreep, rond	CB50+CB70+TD PCH52
BX0070	2522632203	Mikroschakelaar	Diverse toortsen
EA0023	2522632232	Borgmoer handgreep	Diverse toortsen
PH0172	2552650303	Toortspakket 6M	CB50
BX0180	2552650402	Stekker V	CB 70
BX0269	2552650300	Kontakthouder plat	CB 50
BX0138	2522632079	Controle kabel	S 45
BX0125	2552650298	Kabelpilotboog	CB 50
PH0160	2552650310	Stroom-luchtkabel 6 M	CB50
BX0211	2552650299	Nippel	CB 50
BX0185	2552650403	Stekker V	CB 70
PH0170	2552650302	Toortspakket 6M	CB50
PH0207	2522632210	Stroomluchtkabel 6M	A81 1/4G
CY0002	2162609726	Buigbescherming	Diverse toortsen
FY0014	2522632532	Centr.aansl. 7-pins T.Z.	A151+CB50+CB70
CV0036	2552650263	Cirkelsnijbranderset kpl.	CB30-35

PLASMATOORTS CB 50 P

artikelnummer Leverancier	Tramex	Omschrijving	Type
PA1280	2542650286	Plasma machine Snijtoorts	CB 50P
PA1281	2542650287	Plasma machine Snijtoorts	CB 50P
PR0016	2552650293	Electrode Zr	CB50 1521-Z
PR0017	2552650294	Electrode HF	CB50 1521-H/HY 40
PE0007	2552650297	Luchtverdeler	CB50+HY40 1510-20101
PD0015-10	2552650257	Snijmondstuk	CB30-35 1304
PD0088-11	2552650409	Snijmondstuk	CB70
PC0003	2552650309	Gasmondstuk	CB50 5710121
PF0035	2552650341	Aut.branderlichaam recht	CB50P
EA0229	2522632376	O-Ring	Diverse toortsen
EA0212	2552650320	O-ring	CB50
TP0061	2522632281	Handgreep	Diverse toortsen
FH0158	2522632285	Tandheugel	Diverse toortsen
PH0170	2552650302	Toortspakket 6M	CB50
CY0002	2162609726	Buigbescherming	Diverse toortsen
FY0014	2522632532	Centr.aansl. 7-pins T.Z.	A151+CB50+CB70